

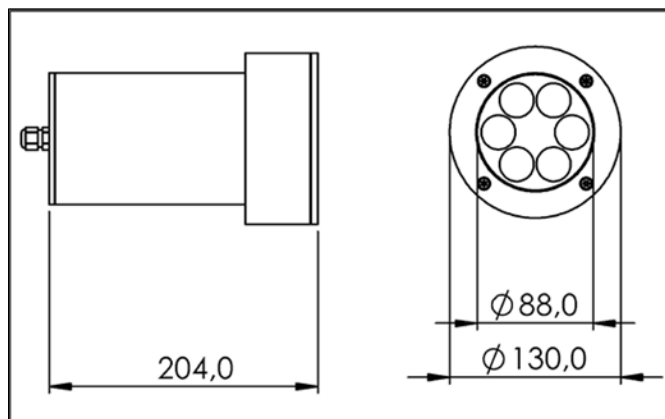
Specifications

Housing material	Aluminium Stainless steel
Surface finish	Brushed
Cover material	Acrylic Glass
LED type	Samsung LH351B
LED lifetime	L90B10 @ 80.000 hours
CCT	3000K 4000K or on request
Lifetime fixture	15 years
Voltage	230 V
CRI	≥ 80
Dimmable	None DALI 1-10V
Future proof	Yes
Efficiency	150 Lumen/Watt
Max light output	1.350 lm
Lens	10, 25, 45 or 15+40°



i All specifications can be customized on request, please contact us for more information

Dimensions



Light characteristics

