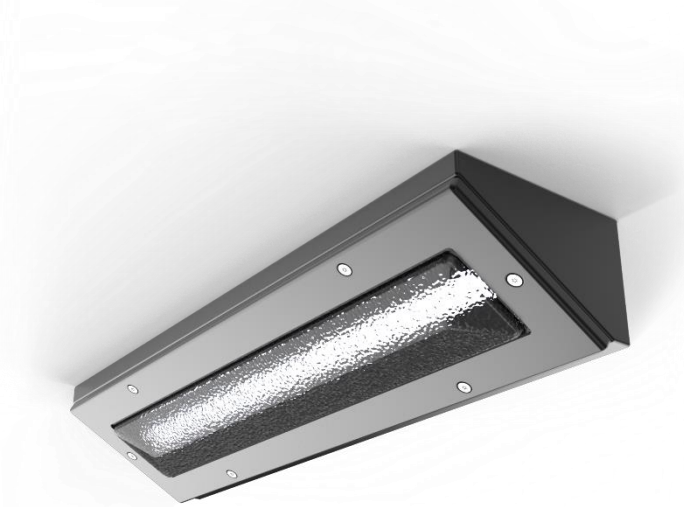


Specifications

Housing material	Stainless steel
Surface finish	Powder coated
Cover material	Polycarbonate
LED type	Samsung LM561C, S6
Lifetime LED	100.000 hours (L90B10)
Lifetime fixture	30 years
Voltage	230 V
CRI	≥ 80
Dimmable	None DALI 1-10V
Future proof	Yes
Net efficiency	180 Lumen/Watt

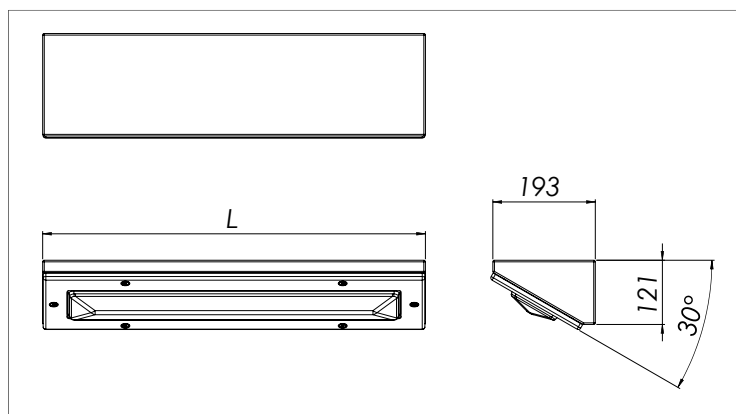


i These specifications can be customized on request, please contact us for more information

Type specific

Type	TA303	TA307	TA3013	TA3016
Max. light output	1.080 lm	2.160 lm	4.320 lm	5.400 lm
Length (L)	375 mm	722 mm	1330 mm	1630 mm

Dimensions



Light characteristics

