

BUILT-IN

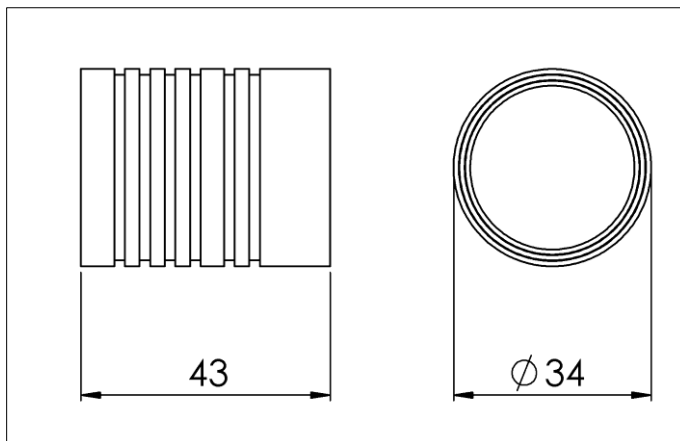
Specifications

Housing material	Stainless steel
Surface finish	Stainless steel
Cover material	Acrylic Glass
LED type	Cree XP-G3
Lifetime fixture	30 years
Voltage	230 V
CRI	≥ 80
Dimmable	None DALI 1-10V
Future proof	Yes
Net efficiency	130 Lumen/Watt
Max light output	150 lm
Lens	25°



i These specifications can be customized on request, please contact us for more information

Dimensions



Light characteristics

