

Specifications

Housing material	Stainless steel
Surface finish	Powder coated
Cover material	PETG
LED type	Samsung LM561C, S6
Lifetime LED	100.000 hours (L90B10)
Lifetime fixture	30 years
Voltage	230 V
CRI	≥ 80
Dimmable	None
Future proof	Yes
Net efficiency	500 Lumen

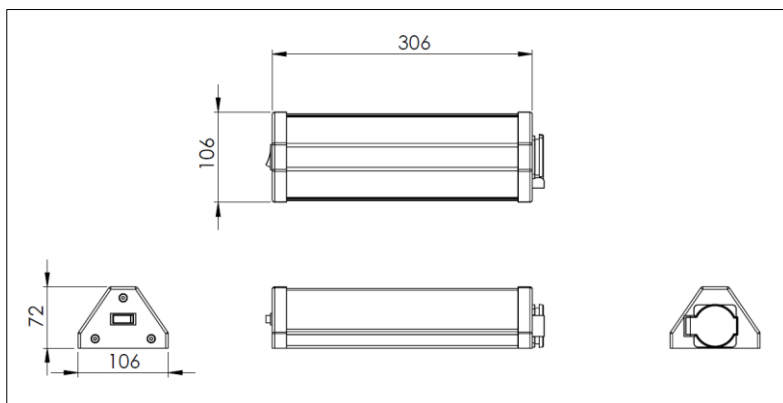


Options

- 230V power socket
- Rocker switch / pushbutton

 These specifications can be customized on request, please contact us for more information

Dimensions



Light characteristics

