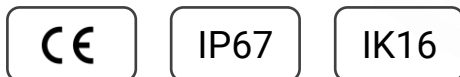


SPOTLIGHTS

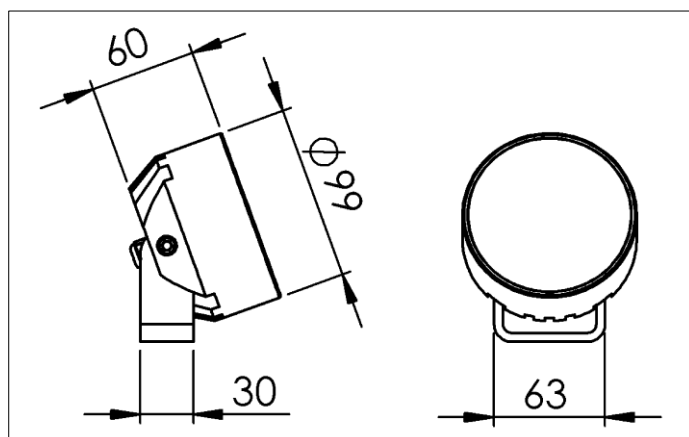
Specifications

Housing material	Aluminium Stainless steel
Surface finish	Anodized, color on request
Cover material	Acrylic Glass
Weight	0.4 kg
LED type	Cree XP-G3
LED lifetime	L90B10 @ 80.000 hours
CCT	3000K 4000K or on request
CRI	≥ 80
Voltage	230 V
Cable	1500mm, 3x1,5mm ²
Dimmable	None DALI
Future proof	Yes
Net efficiency	130 Lumen/Watt
Light output	675 lm
Lens	15+40°



i These specifications can be customized on request, please contact us for more information

Dimensions



Light characteristics

