

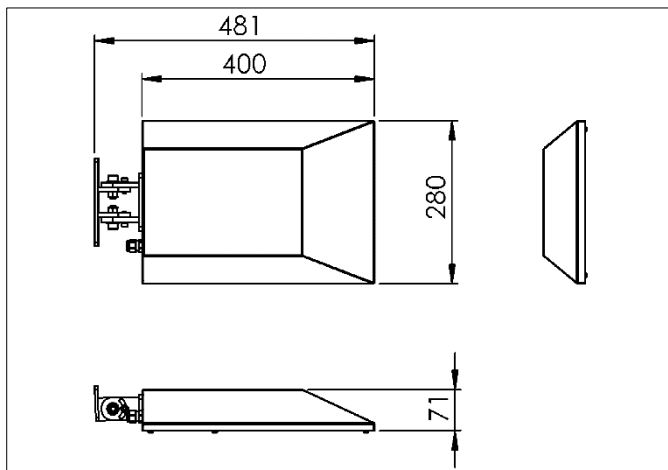
### Specifications

Housing material	Stainless steel
Surface finish	Powder coat color on request
Cover material	Acrylic   Glass
Weight	4 kg
LED type	Cree XM-L2
LED lifetime	L90B10 @ 80.000 hours
CCT	3000K   4000K or on request
CRI	≥ 80
Voltage	230 V, internal driver
Cable	To be determined
Dimmable	None   DALI
Future proof	Yes
Net efficiency	150 Lumen/Watt
Light output	5400 lm
Lens	Asymmetric



**i** These specifications can be customized on request, please contact us for more information

### Dimensions



### Light characteristics

