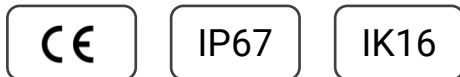


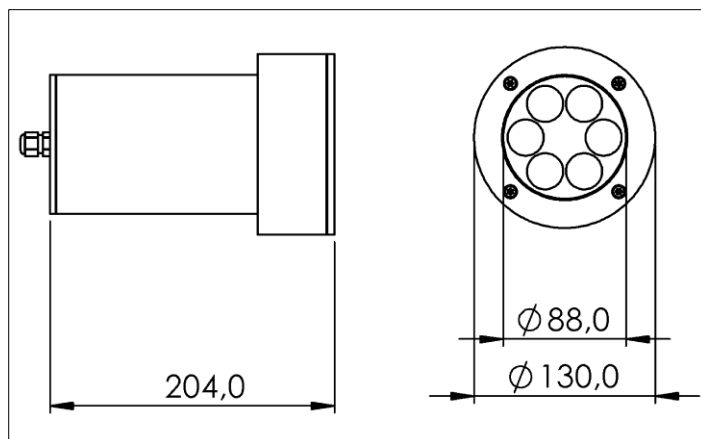
### Specifications

Housing material	Stainless steel
Surface finish	Powder coat on request
Cover material	Acrylic   Glass
LED type	Cree XP-G3
Lifetime fixture	30 years
Voltage	230 V
CRI	≥ 80
Dimmable	None   DALI   1-10V
Future proof	Yes
Net efficiency	130 Lumen/Watt
Max light output	1350 lm
Lens	Opaque



 These specifications can be customized on request, please contact us for more information

### Dimensions



### Light characteristics

